

HEISLER

CASE PALLETIZING SYSTEM



The HEISLER Palletizer, with its heavy-duty capability and adjustable features, offers flexibility and productive power in palletizing operations. The pallet hopper and dispenser control the stack from the bottom pallet with virtually jam-proof operation. Pallet pattern changes and size parameters can easily be adjusted to handle a variety of containers, from plastic to corrugated cases, eliminating the need for costly equipment duplication. Speeds of up to 22 cpm are standard, and with optional equipment, up to 40 cpm can be achieved.

Manufactured by Heisler, the machine includes only the features that you need. Many standard options are available along with any custom design requests.

Heisler offers a host of solutions for your container handling needs including lid placing, handle/lid/bung orientation, lid sealing, lid detection, and palletizing.

Machine Options

- Stainless Steel / corrosion resistant materials.
- Explosion Proof (Class 1, Division 1 or 2).
- Gravity or powered discharge conveyors.
- Ability to handle cases and pails.
- Side or rear loading hopper.
- Extended pallet hopper.
- Wash down NEMA 4 electrical.
- Adjustable features.

Machine Operation

Cases are conveyed to the upstacker where they are column stacked from the bottom and pushed onto the loading platform. Pallets are fed from the bottom of the hopper to beneath the loading platform where a row of stacked cases is then transferred onto the pallet. The pallet is then moved to the next position and the process is repeated until the pallet pattern is complete.

Machine Features

- 13 Foot Length
- Integral Pallet Hopper and Dispenser
- Complete Alarm Functions
- Turk Proximity Sensors
- Banner Photoelectric Sensors
- Mac Solenoid Valves
- Allen Bradley Control Components
- Control Voltage 24VDC
- Steel-It Paint

www.heislerind.com

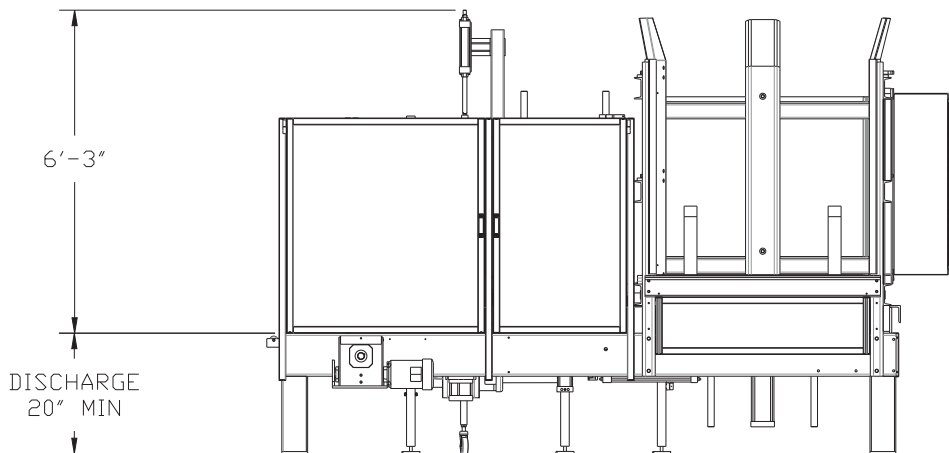
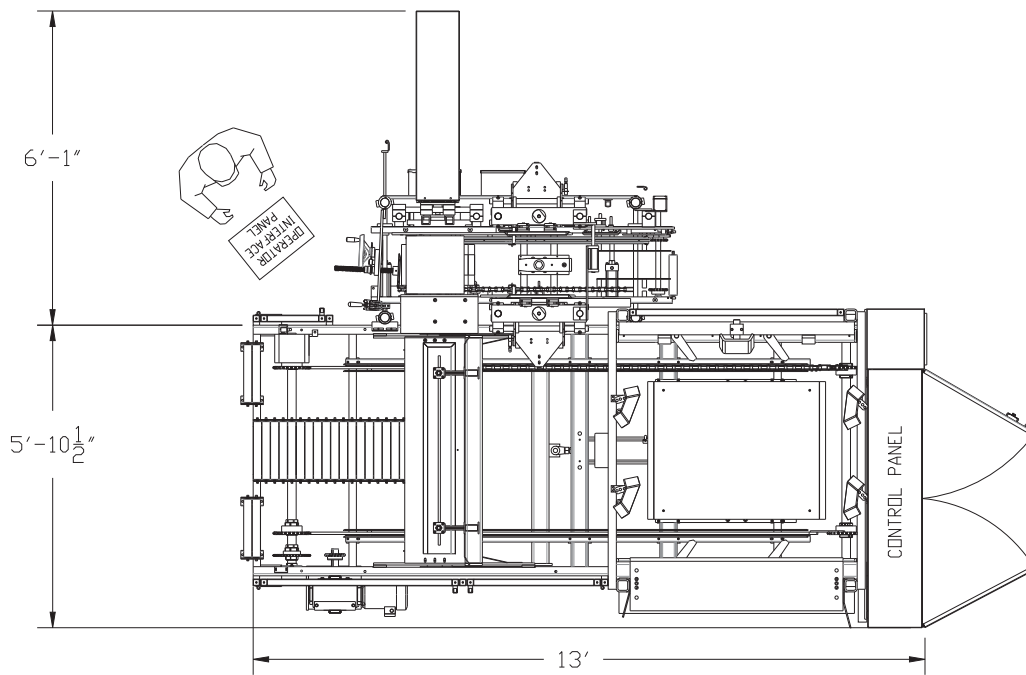
HEISLER
QUALITY, DURABILITY, SERVICE

"We are dedicated to the success of your project"



Denesters • Case/Tray Packers • Lid Placers • Palletizers
Labelers • Bail-O-Matics • Turn Tables • System Integration

...choice labeling solutions™



Technical Specification	Case Palletizer
Speed	22 cpm std. up to 40 cpm w/opt equip.
Controls	Allen Bradley Compact Logix L32E
Electrical	220/440 VAC, 3 Phase, 60 Hertz
Air	30 CFM @ 90 PSI
Max Load	10,000 Lbs
Pallet Hopper	10-12 Pallets Std
Weight, net approximately.	6,700 lbs.

HEISLER
QUALITY, DURABILITY, SERVICE

224 Passaic Ave, Fairfield, NJ
TEL 973-227-6300 • FAX 973-227-7627
www.heislerind.com