

HEISLER

E-SERIES LID PLACER

The HEISLER E-Series Lid Placer is designed to provide a compact solution in a modular and economical package for your lid placing needs. The E-Series Lid Placer offers the same outstanding quality and durability as our high-speed machines to those users whose line speeds are usually not more than 10 containers per minute.

Manufactured by Heisler, the Lid Placer includes only the features that you need. Many standard options are available along with any custom design requests.

Operating Sequence

Lids are placed in the vertical hopper. The lids feed down into the separating rings that release one lid at a time onto the lid chute. The lid chute positions the lid for dispensing onto the container as it passes below the chute. An integrated Lid/Pail positioning mechanism provides positive lid placement onto the container.

Features

Compact design allows to place over existing conveyor.

Proprietary Lid/Pail mechanism provides positive lid placement control and continuous "on-the-fly" performance.

Completely wired and ready to go.

Trouble alarms

Optional interchangeable tooling for different size containers

Positive lid control throughout the lid placing cycle.

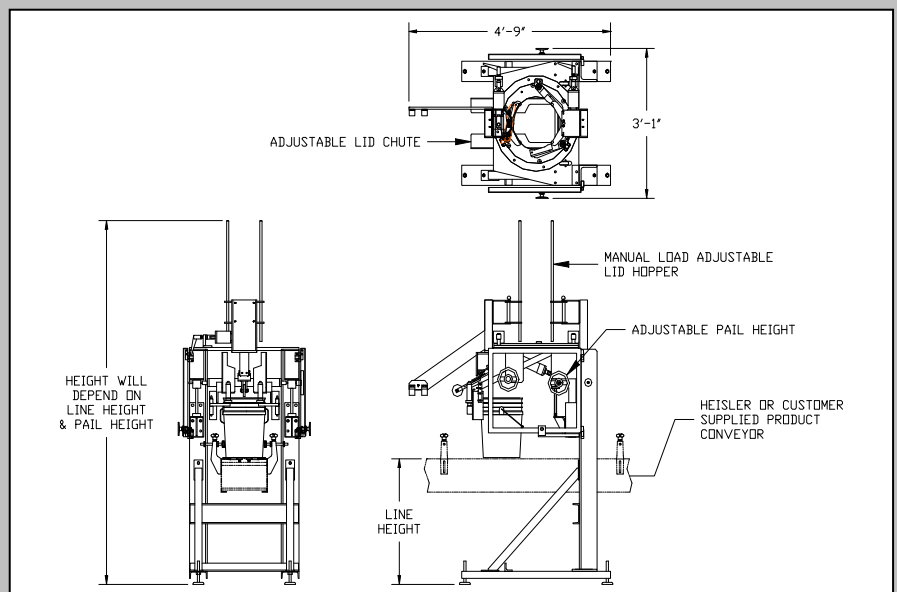
Turk Proximity Sensors

Banner Photoelectric Sensors

Mac Solenoid Valves

Allen Bradley Control Components

24 VDC Control Voltage



Specifications

- Speed Up to 20 Containers per minute.
- Controls Allen Bradley Micrologix PLC.
- Electrical 220/440 VAC, 3 Phase, 60 Hertz.
- Air 20CFM at 80 PSI.

Available Options

Controls

- Upgrade Allen Bradley Micrologix to SLC 5/02 PLC
- Upgrade Allen Bradley Micrologix to SLC 5/04 PLC
- Panelview Operator Terminal
- Explosion Proof (Class1, Division 1 or 2)

Other Options

- Adjustable to run metal and plastic pails
- Adjustable feature (height & width)
- Integrated conveyor and closing options available
- Various construction materials and finishes
- Closers
- Conveyors

See our complete line of product offerings and services at
www.heislerind.com

HEISLER
QUALITY, DURABILITY, SERVICE

224 Passaic Ave, Fairfield, NJ
TEL 973-227-6300 ~ FAX 973-227-7627
www.heislerind.com