

HEISLER

HL-TT TURN TABLE



Superior Features

- High quality steel welded frame.
- Stainless steel table top.
- Heavy duty gear motor drive.
- Unloading of last can for unscrambling models.
- Able to work with different size cans with little or no change parts.
- Table platform supported with nylon wheels.

Machine Operation

For unscrambling models; cans are loaded onto the table while the table is stopped or in operation. As the table turns, a moving arm gently pushes the cans toward the outside of the table. The cans ride along the outside rail until they contact the curved rail deflector. This curved section guides the cans off the table and onto another process, i.e. labeling, filling, etc.

For accumulation models; cans are fed onto the rotating table where they will collect, waiting to be removed.

Machine Options

- Right Hand Model or Left Hand Model.
- PLC Integration.
- Casters for Mobility.
- Explosion-Proof Package.
- 72 inch (6 foot) table for added capacity .

Machine Features

- Capacity of the standard model 60 inch table is 40 one gallon cans
- Standard operating height is 34 inches.
- Completely painted and stainless steel construction, makes the turn table durable and corrosion free for many years of operation.
- Timing belt or chain (for collection models) driven for industrial reliable operation .
- Uncomplicated design allows for ease of adjustment and basic service.

www.heislerind.com

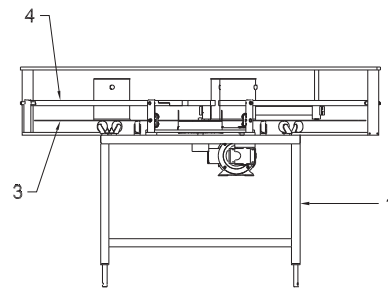
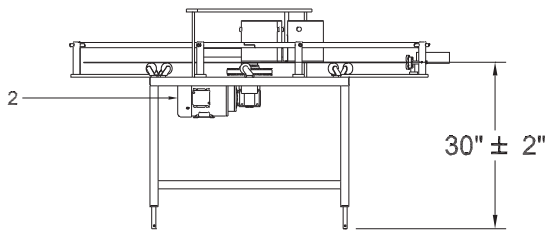
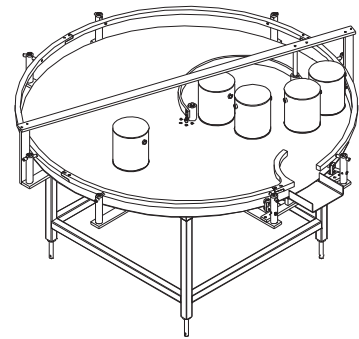
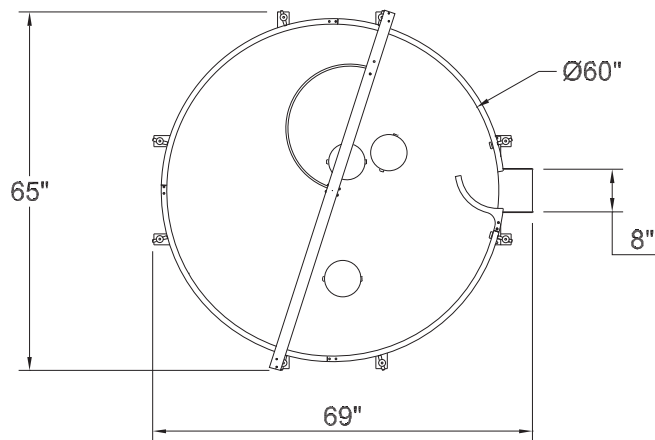
HEISLER
QUALITY, DURABILITY, SERVICE

"We are dedicated to the success of your project"



Denesters • Case/Tray Packers • Lid Placers • Palletizers
Labelers • Bail-O-Matics • Turn Tables • System Integration

...choice labeling solutions™



- 1) Frame
- 2) Gear Motor

- 3) Turn Table
- 4) Rail

Technical Specification	HL-TT Turn Table
Capacity	40 1 gallon cans on 60 inch table.
Electric	220/460VAC 3 phase 60Hz
Speed	Up to 30 CPM / 1800 CPH
Weight, net approximately	250 lbs.

HEISLER
QUALITY, DURABILITY, SERVICE

224 Passaic Ave, Fairfield, NJ
TEL 973-227-6300 • FAX 973-227-7627
www.heislerind.com