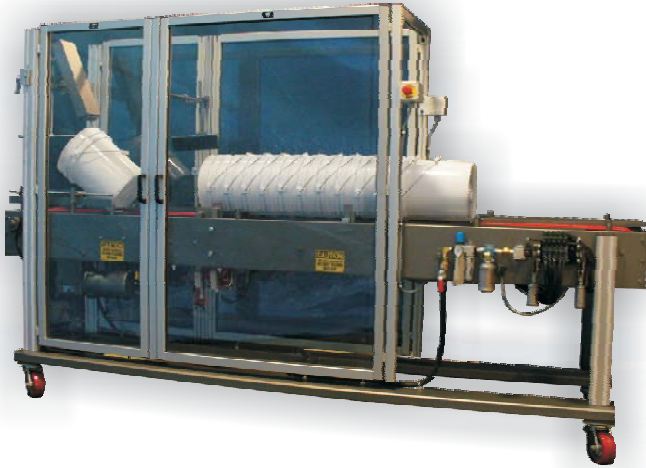


HEISLER

COMPACT DENESTER



Machine Operation

The HEISLER Compact Denester eliminates the demanding, time consuming and tedious task of manually separating plastic or metal pails, significantly improving production capacity and profitability. The Compact Denester fits the needs of those needing smaller foot print and portability. Designed and built in the USA, this PLC controlled machine is made to exacting standards for trouble free, continuous use under varying conditions.

Manufactured by Heisler, the machine includes only the features that you need. Many standard options are available along with any custom design requests.

A Stack of pails is placed on the infeed conveyor in the horizontal position. The stack then advances to the separator mechanism, which holds the stack and removes one pail at a time. Each separated pail is fed to the upender, which transfers the pail to an upright position. The entire system continues to operate even as new stacks of pails are loaded.

Machine Options

- Spare and Wear Parts Package
- Stainless Steel/Corrosion Resistant Materials
- Explosion Proof (Class 1, Division 1 or 2)
- Wash down NEMA 4 Electrical
- Quick Change Tooling
- Frame and Casters
- Steel-it-Paint
- Central Manifold Lubrication System
- 2-6 Gallon Round, Square, Rectangular containers

Machine Features

- Completely Wired and Ready to Go
- Turk Proximity Sensors
- Banner Photoelectric Sensors
- Mac Manifoldded Solenoid Valves
- Allen Bradley Control Components
- Free Life Time Technical Phone Support
- 10 Foot Length
- Up to 15 container per minute
- Trouble Alarms
- Control Voltage 24VDC

www.heislerind.com

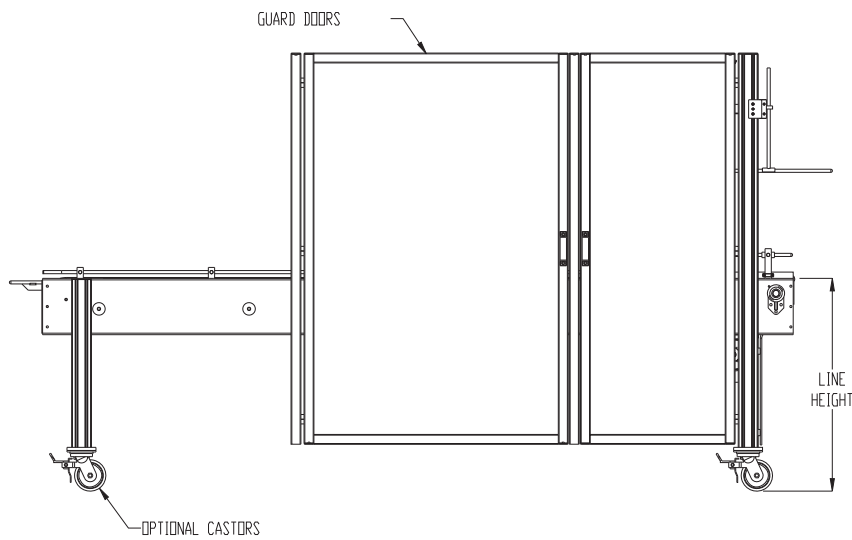
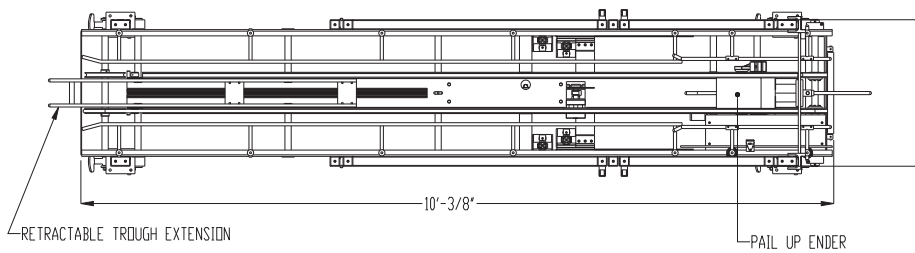
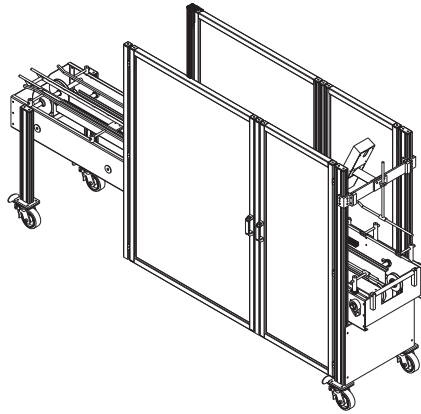
HEISLER
QUALITY, DURABILITY, SERVICE

"We are dedicated to the success of your project"



Denesters • Case/Tray Packers • Lid Placers • Palletizers
Labelers • Bail-O-Matics • Turn Tables • System Integration

...choice labeling solutions™



Technical Specification	Compact Denester
Speed	Up to 15 containers/Min.
Controls	Allen Bradley MicroLogix PLC
Electrical	220/440 VAC, 3 Phase, 60 Hertz
Air	20 CFM @ 80 PSI
Weight, net approximately.	1,200 lbs.

HEISLER
QUALITY, DURABILITY, SERVICE

224 Passaic Ave, Fairfield, NJ
TEL 973-227-6300 • FAX 973-227-7627
www.heislerind.com