

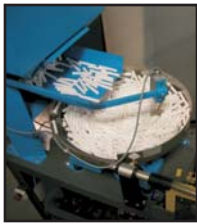
# HEISLER

## LARGE CONTAINER BAIL-O-MATIC



### Machine Operation

Wire is pulled off a supply spool, straightened and transported through the machine and cut to length. Precise wire length is obtained by the new servo driven wire feed assembly. A pail is fed into position where it is oriented for proper insertion of the bail. The “bailing” cycle then occurs placing the bail onto the ear of the pail while curling the end of the wire so that the loop is formed up and into each ear. This loop shape is preferred over “ball end” or hand bail shapes, as it will not pull out of the ear.



Grip Feed



Orientation



Servo Wire

The **HEISLER** Large Container Bail-O-Matic automatically forms and inserts the handle and grip onto containers. By eliminating the repetitive motion of hand bailing, and increasing the speed of the bailing process, this machine contributes directly to plant productivity and profitability. It can be set up to interlock upstream equipment for index feeding.

Designed and built in the USA, this machine is made to exacting standards for continuous use under various conditions. This machine is available in two models - Metal with speeds up to 50 containers/minute and Plastic with speeds up to 28 containers/minute. It can accommodate equal width containers of varying height, typically 2 ½ to 7 gallons.

### Machine Options

- PLC upgrades
- Spare parts kit
- Empty pail upstacker
- Bail/Pail orientation
- Bar code reader

[www.heislerind.com](http://www.heislerind.com)

### Machine Features

- Servo driven wire straightener for consistent wire length
- Allen Bradley PLC
- Vibratory grip hopper with vacuum and cylinder assisted feed chute assembly
- Height adjustable for different height pails (same diameter and satellite ring/ear design - 3 to 6 Gal. typical)
- Bail ejector system
- Anti-snarl switch with special wire stanchion and pulley assembly
- Standard interlocked guarding
- Strongarm mounted touch screen HMI Interface
- Selectable pass-through for “no bail” applications

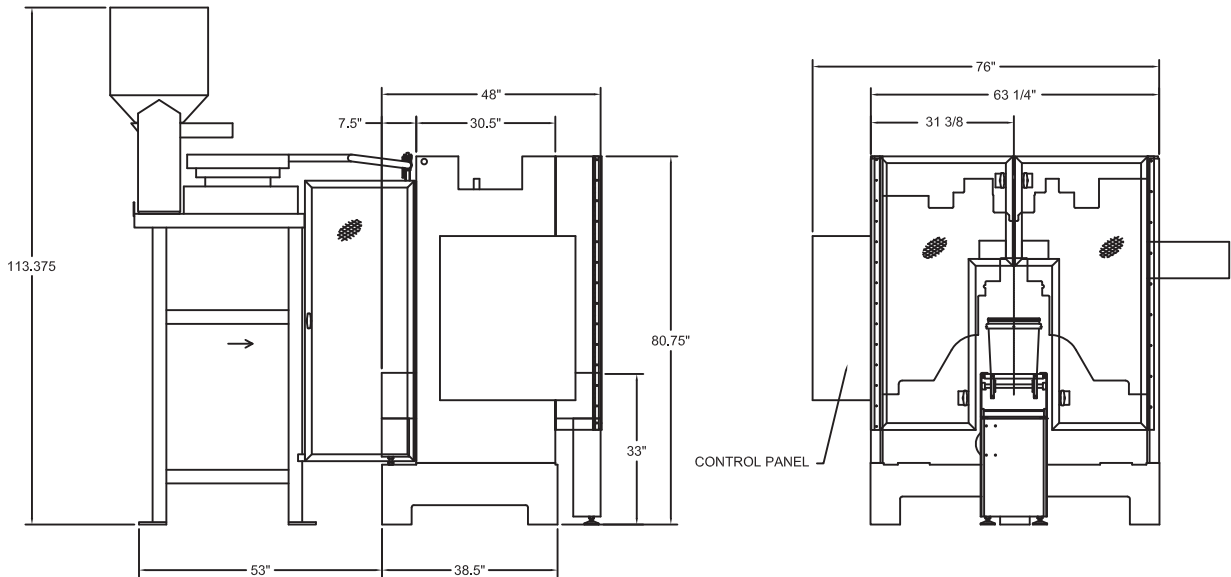
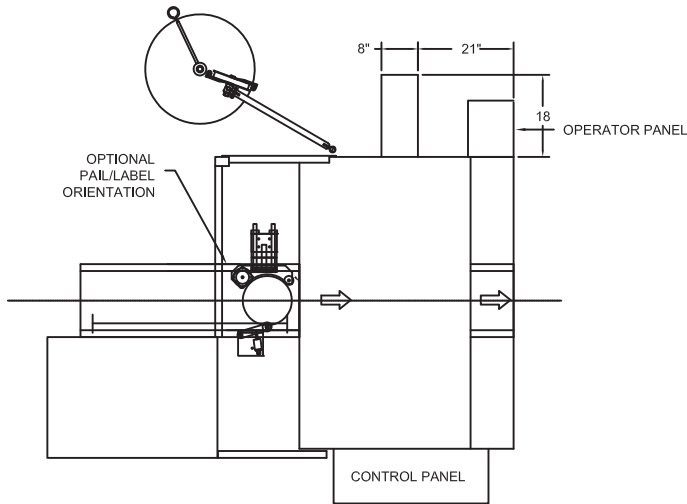
**HEISLER**  
QUALITY, DURABILITY, SERVICE

*“We are dedicated to the success of your project”*



Denesters • Case/Tray Packers • Lid Placers • Palletizers  
Labelers • Bail-O-Matics • Turn Tables • System Integration

...choice labeling solutions™



Technical Specification	Large Container Bail-O-Matic
Speed	Metal – 50/min Plastic – 28/Min
Controls	Allen Bradley SLC 5/03 PLC
Electrical	220/440 VAC, 3 Phase, 60 Hertz
Air	30 CFM @ 90 PSI
Weight, net approximately.	8,100 lbs.